

Mounting of Measure Probe:

TDS-xxx series

In German / Deutsch: www.tecson.de/files/tecson/pdf-docs/instsond_de.pdf

In General:

Mounting of the measure probe in oil tanks should be performed by qualified persons only, in particular when the tank is a sub-grounded tank or outdoor tank.

The probe cable is in standard 6 meters long. It has + (red) and - (black) to be connected to a 4 . 20 mA measure input. Extension up to 100 meters and more is possible, e.g. using 2 x 0,4 mm² wire. For instance telephone cable can be used. In case of electrical disturbance by other electrical cables a shielded cable should be used, with shielding connected to ground.

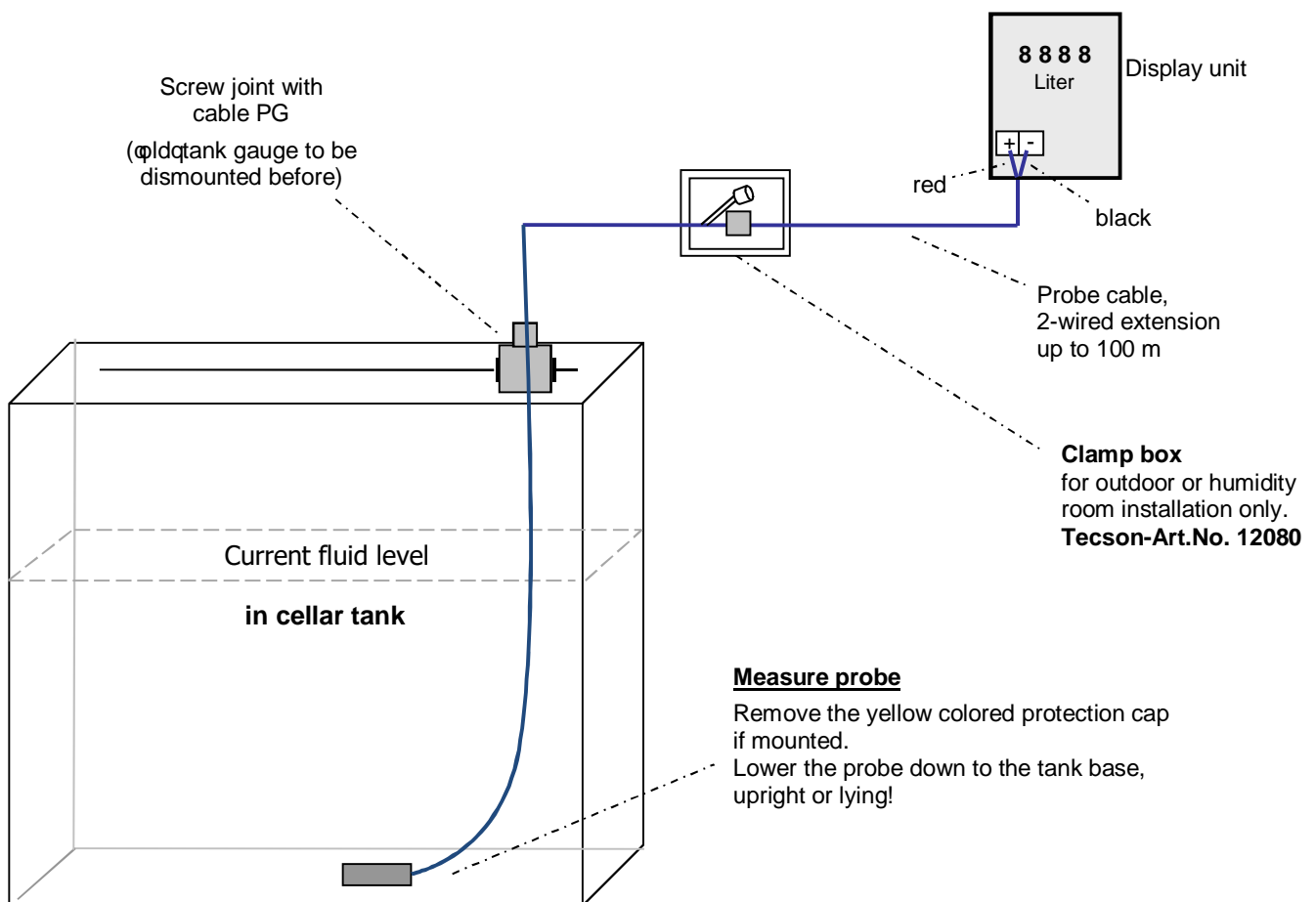
Beside the red and black wire the probe cable has a ventilation capillary with a small filter.
For outdoor cable extension use the special clamp box (Tecson Art.No. 12080) which is ventilated but keeps dry.

In case of a replacing a defective or older measure probe and the display unit has been trimmed before, then perform a Reset to origin setup After that you have to re-setup the device setting.

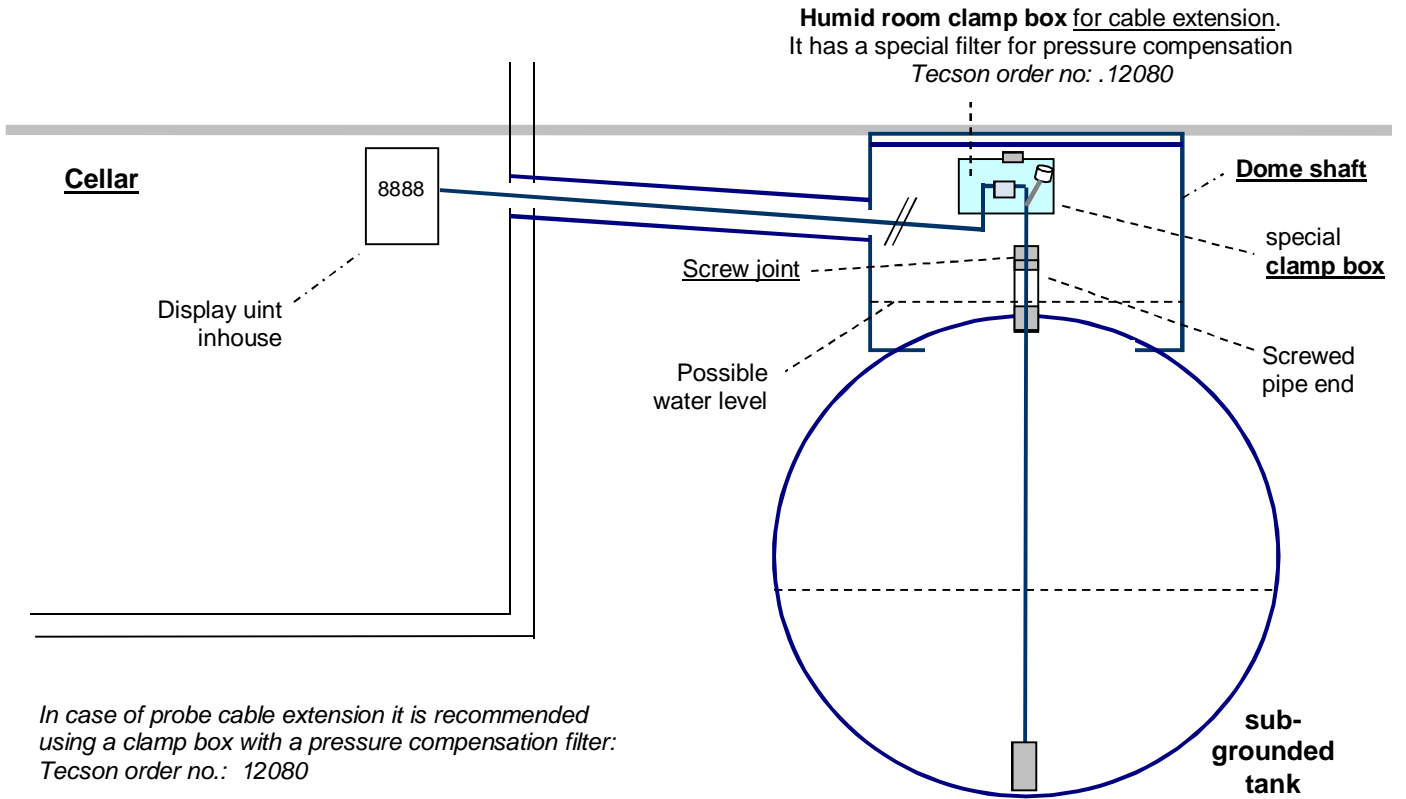
The probe should touch the tank ground (ref. image). The measure probe may be positioned standing upright or may be positioned lying.

Protection cap at probes head: When the probe as a yellow protection cap then remove the cap before installing.

Probe mounting at cellar tank (steel tank):



Probe mounting at sub-grounded tank:



Mounting at plastic tanks:

